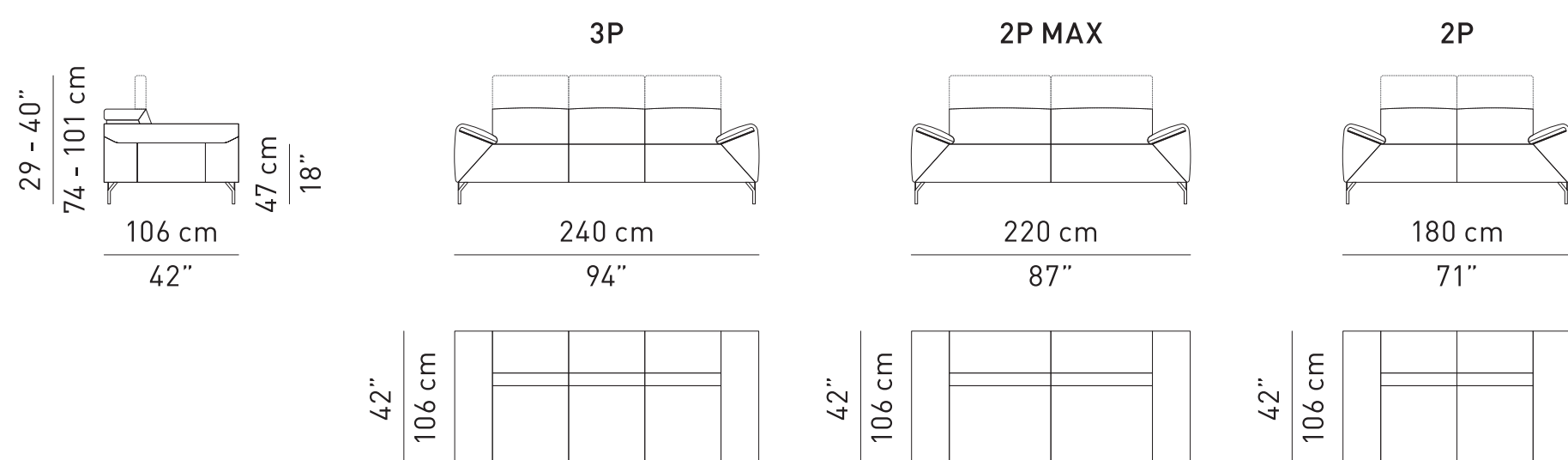
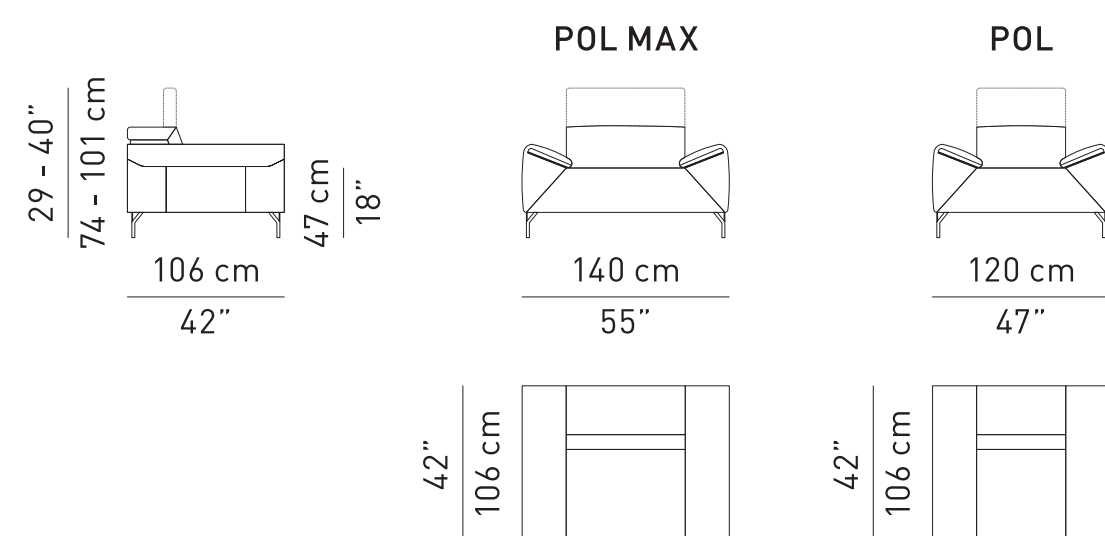


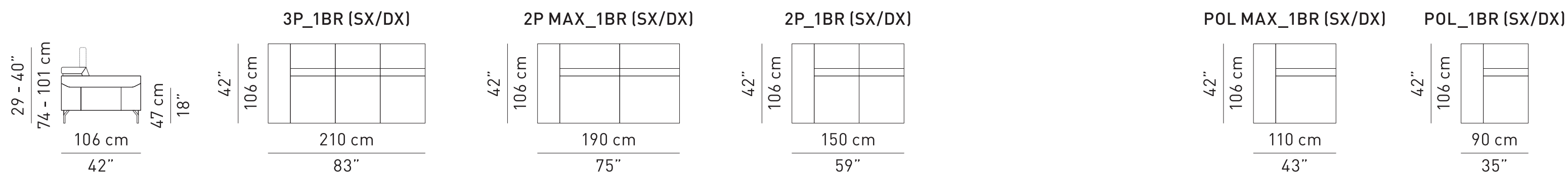
## SOFA



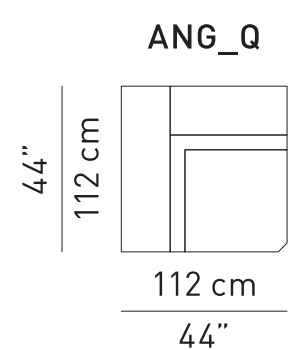
## ARMCHAIR



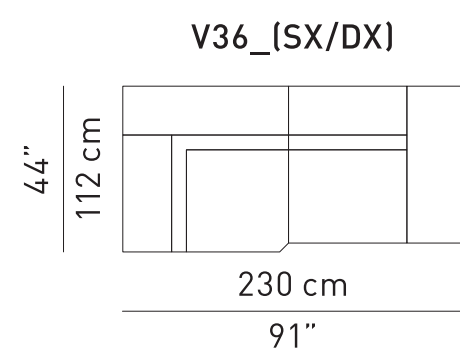
## MODULAR ELEMENTS



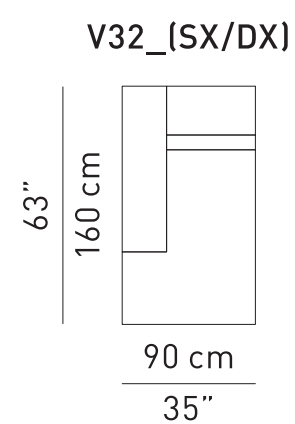
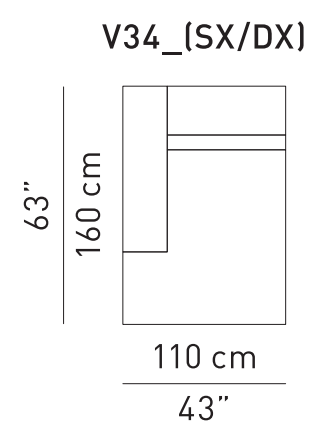
## CORNER



## PENINSULA



## CHAISE LONGUE



## POUF

